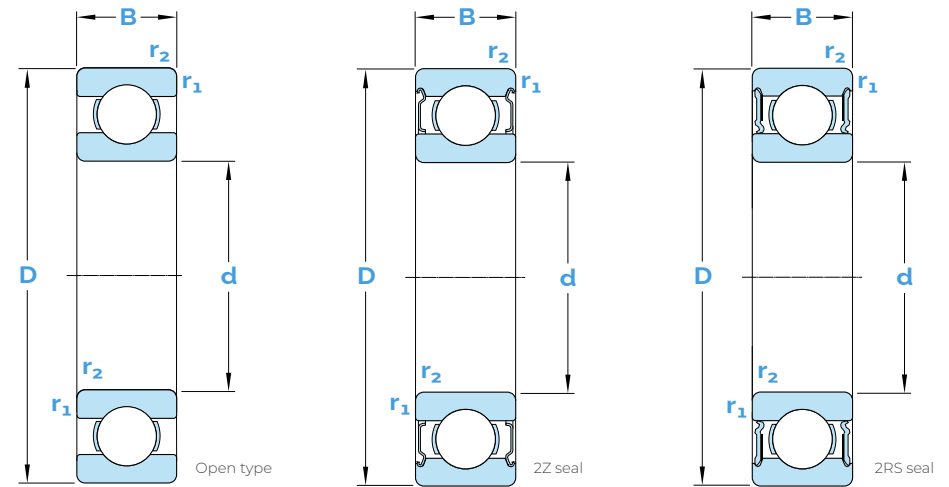


## DEEP GROOVE BALL BEARINGS

### STAINLESS STEEL SERIES



Type	d (mm)	D (mm)	B (mm)	$d_2 \approx$ (mm)	$D_2 \approx$ (mm)	$r_{1,2}$ min. (mm)	Mass (kg)	$d_a$ min. (mm)	$d_a$ max. (mm)	$D_a$ max. (mm)	$r_a$ max. (mm)	Dynamic C (kN)	Static $C_0$ (kN)	$P_u$ (kN)	Limiting speed $v$ (m/min)	$k_r$	$f_0$
SS6000-2RS-FEL	10	26	8	13.9	22.38	0.3	0.018	12	13.5	24	0.3	3.9	1.58	0.08	15000	0.03	12.4
SS6001-2RS-FEL	12	28	8	16	25.15	0.3	0.02	14	15.5	26	0.3	4.35	1.91	0.1	13000	0.03	13.2
SS6002-2RS-FEL	15	32	9	18.6	29.05	0.3	0.028	17	18.5	30	0.3	4.75	2.27	0.12	12000	0.03	13.9
SS6003-2RS-FEL	17	35	10	23.5	31.85	0.3	0.038	19	23	33	0.3	5.1	2.6	0.13	11000	0.03	14.1
SS6004-2RS-FEL	20	42	12	27.6	38.75	0.6	0.064	24	27.5	39.5	0.6	8	4.05	0.21	10000	0.03	13.9
SS6005-2RS-FEL	25	47	12	31.7	42.73	0.6	0.077	29	31.5	44.5	0.6	8.6	4.7	0.25	9000	0.03	14.5
SS6006-2RS-FEL	30	55	13	38	49.95	1	0.11	35	37.5	50.5	1	11.2	6.6	0.35	7000	0.03	14.7
SS6007-2RS-FEL	35	62	14	44	57.05	1	0.15	40	43.5	57.5	1	12.5	10.4	0.44	6000	0.03	14.9
SS6008-2RS-FEL	40	68	15	49.2	62.5	1	0.18	45	49	63.5	1	14.3	9.2	0.49	5500	0.03	15.2
SS6009-2RS-FEL	45	75	16	54.5	69	1	0.24	50	54	70	1	16.2	12.1	0.64	5000	0.03	15.3
SS6010-2RS-FEL	50	80	16	60	74.55	1	0.266	55	59.5	75.5	1	18.5	13.3	0.71	4000	0.03	16.6
SS6200-2RS-FEL	10	30	9	15.3	25.28	0.6	0.03	14	15	26	0.6	4.35	1.91	0.1	15000	0.03	12.9
SS6201-2RS-FEL	12	32	10	18.5	27.95	0.6	0.036	16	18	28.5	0.6	5.8	2.44	0.12	14000	0.03	12
SS6202-2RS-FEL	15	35	11	21.7	31.4	0.6	0.044	19	21.5	32	0.6	6.5	3	0.15	12000	0.03	12.9
SS6203-2RS-FEL	17	40	12	24.9	35.8	0.6	0.064	21	24.5	37.5	0.6	8.1	3.85	0.2	11000	0.03	13.1
SS6204-2RS-FEL	20	47	14	29.5	40.92	1	0.1	25	29	42	1	10.9	5.3	0.28	9000	0.03	13.1
SS6205-2RS-FEL	25	52	15	34	45.72	1	0.13	30	33.5	47	1	11.9	6.3	0.33	8000	0.03	13.8
SS6206-2RS-FEL	30	62	16	40.7	55.13	1	0.2	35	40.5	57	1	16.5	9.1	0.48	6000	0.03	13.9
SS6207-2RS-FEL	35	72	17	47.6	64.8	1.1	0.28	41.5	46.5	65.5	1	21.8	12.3	0.65	5300	0.03	13.9
SS6208-2RS-FEL	40	80	18	50.1	70.8	1.1	0.37	46.5	50	73.5	1	24.7	14.3	0.75	5000	0.03	14
SS6209-2RS-FEL	45	85	19	53.5	76.35	1.1	0.39	51.5	53.5	78.5	1	28	16.4	0.86	4000	0.03	14.1
SS6210-2RS-FEL	50	90	20	60	82.15	1.1	0.45	55	59.5	83.8	1	30	18.6	0.98	4500	0.03	14.4