

# 3F3A-100LB-4B5

## MECHANICAL DATA

Noise at 50Hz	70 dB(A)
Moment of inertia	0.00872 kgm <sup>2</sup>
Bearing DE	6206ZZ
Bearing NDE	6206ZZ
Bearing lifetime	40000 h
Direction of rotation	bidirectional
Frame material	aluminum
Colour	RAL 7030
Cooling method	IC411
Ambient temperature	-20 / +40 °C
Altitude above sealevel	1000 m
Output	3kW
Speed	1450 rpm
Ins. Class	F
Efficiency	87,7% IE3
Voltage	400V
Connection	Y
F.L. Current	6.02A
Power factor	0,82
Duty	S1
Frequency	50 Hz
IP	55
Weight	30.5 kg

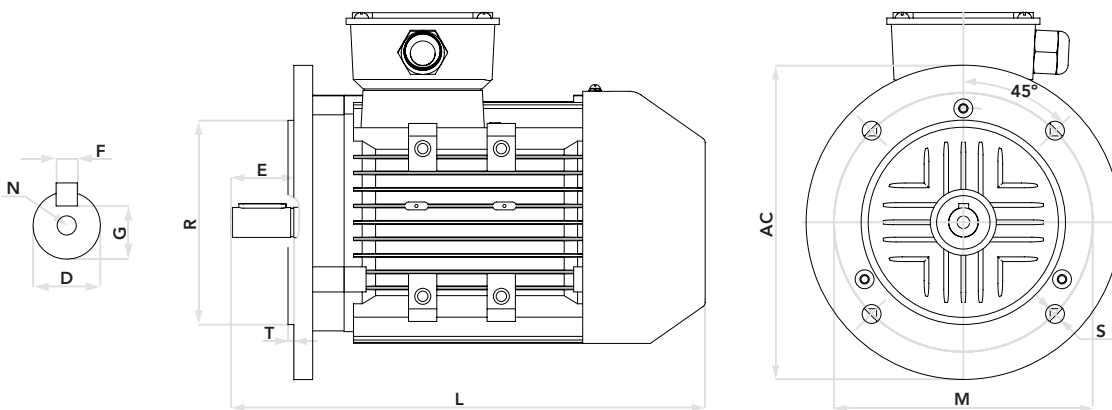
## ELECTRICAL TEST DATA

Ambient temperature	28 °C
Resistance of winding	2,263 Ω
Three phase current unbalanced	2,37 %
No load amps	2,89 A
No load input	163,26 W
Core loss (Pfe)	112,69 W
Windage friction loss (Pfw)	19,86 W
Stator winding loss (Pcu1)	151 W
Rotor winding loss (Pcu2)	93,76 W
Stray load loss (Ps)	51,7 W
Locked rotor current	50,27 A
Locked rotor current / Full load current	8,35
Full load torque	19,8 Nm
Locked rotor input power at full load	19495,5 W
Locked rotor torque	58,94 Nm
Locked rotor torque / Full load torque	2,98
Full load input	3429 W
Full load current	5,913 A
Efficiency at 50% load	84,61 %
Efficiency at 75% load	88,1 %
Efficiency at 100% load	87,5 %
Power factor at full load	0,8312
Full load slip	2,962 %
Full load speed	1456 rpm
Stator winding temperature rise	47,37 K
Stator phase resistance at Ambient temperature of 95 °C	2,84 Ω
Sound pressure level	63 dB(A)
Vibration	0,8 mm/s
Insulation resistance	200 MΩ
Bearing temperature	57,4 °C

## SPECIAL DESIGN


Efficiency in compliance with IEC 60034-30 Edition 1.0 - 2008, IE3  
Testing method IEC 60034-2-1 Edition 1.0 - 2007-09

## DIMENSIONS 3F3A-100LB-4B5



Frame size	Number of poles	D	E	F	G	M	N	R	S	T	AC	L
100LB	04	28	60	8	24	215	M10	180	4-14.5	4	215	430

FELSTROM

3F3A-100LB-4B5

