

# 3F3A-90LA-2B5

## MECHANICAL DATA

Noise at 50Hz	67 dB(A)
Moment of inertia	0.00223 kgm <sup>2</sup>
Bearing DE	6205ZZ
Bearing NDE	6205ZZ
Bearing lifetime	40000 h
Direction of rotation	bidirectional
Frame material	aluminum
Colour	RAL 7030
Cooling method	IC411
Ambient temperature	-20 / +40 °C
Altitude above sealevel	1000 m
Output	2.2kW
Speed	2895 rpm
Ins. Class	F
Efficiency	85,9% IE3
Voltage	400V
Connection	Y
F.L. Current	4.35A
Power factor	0,85
Duty	S1
Frequency	50 Hz
IP	55
Weight	18 kg

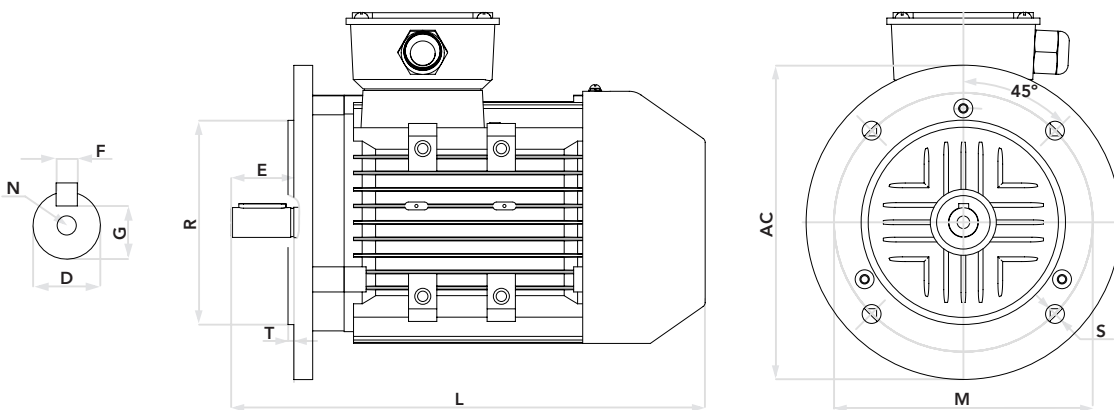
## ELECTRICAL TEST DATA

Ambient temperature	21 °C
Resistance of winding	3,777 Ω
Three phase current unbalanced	1,43 %
No load amps	1,68 A
No load input	135,73 W
Core loss (Pfe)	59,2 W
Windage friction loss (Pfw)	59,63 W
Stator winding loss (Pcu1)	132,5 W
Rotor winding loss (Pcu2)	77,36 W
Stray load loss (Ps)	43,33 W
Locked rotor current	39,5 A
Locked rotor current / Full load current	9,08
Full load torque	7,26 Nm
Locked rotor input power at full load	19329,1 W
Locked rotor torque	26,4 Nm
Locked rotor torque / Full load torque	3,64
Full load input	2572 W
Full load current	4,259 A
Efficiency at 50% load	84,12 %
Efficiency at 75% load	86,37 %
Efficiency at 100% load	85,53 %
Power factor at full load	0,8717
Full load slip	3,25 %
Full load speed	2902 rpm
Stator winding temperature rise	48,06 K
Stator phase resistance at Ambient temperature of 95 °C	4,869 Ω
Sound pressure level	65 dB(A)
Vibration	1,1 mm/s
Insulation resistance	200 MΩ
Bearing temperature	46,2 °C

## SPECIAL DESIGN


Efficiency in compliance with IEC 60034-30 Edition 1.0 - 2008, IE3  
Testing method IEC 60034-2-1 Edition 1.0 - 2007-09

## DIMENSIONS 3F3A-90LA-2B5



Frame size	Number of poles	D	E	F	G	M	N	R	S	T	AC	L
90LA	02	24	50	8	20	165	M8	130	4-12	3.5	195	380

FELSTROM

3F3A-90LA-2B5

