

# 3F3A-132SA-2B5

## MECHANICAL DATA

Noise at 50Hz	79 dB(A)
Moment of inertia	0.01685 kgm <sup>2</sup>
Bearing DE	6208ZZ
Bearing NDE	6208ZZ
Bearing lifetime	40000 h
Direction of rotation	bidirectional
Frame material	aluminum
Colour	RAL 7030
Cooling method	IC411
Ambient temperature	-20 / +40 °C
Altitude above sealevel	1000 m
Output	5.5kW
Speed	2925 rpm
Ins. Class	F
Efficiency	89,2% IE3
Voltage	400V
Connection	D
F.L. Current	10.1A
Power factor	0,88
Duty	S1
Frequency	50 Hz
IP	55
Weight	55 kg

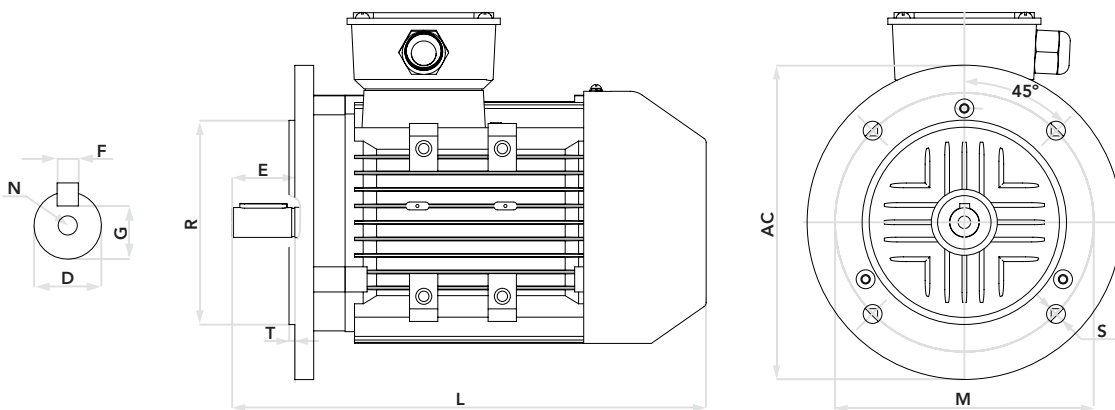
## ELECTRICAL TEST DATA

Ambient temperature	28 °C
Resistance of winding	1,218 Ω
Three phase current unbalanced	1,18 %
No load amps	3,73 A
No load input	348,11 W
Core loss (Pfe)	138,4 W
Windage friction loss (Pfw)	86,52 W
Stator winding loss (Pcu1)	230,4 W
Rotor winding loss (Pcu2)	141,2 W
Stray load loss (Ps)	131,4 W
Locked rotor current	80,194 A
Locked rotor current / Full load current	7,94
Full load torque	18 Nm
Locked rotor input power at full load	26475,6 W
Locked rotor torque	39,33 Nm
Locked rotor torque / Full load torque	2,19
Full load input	6228 W
Full load current	10,03 A
Efficiency at 50% load	87,51 %
Efficiency at 75% load	89,13 %
Efficiency at 100% load	88,31 %
Power factor at full load	0,8967
Full load slip	2,41 %
Full load speed	2927,7 rpm
Stator winding temperature rise	57,25 K
Stator phase resistance at Ambient temperature of 95 °C	2,292 Ω
Sound pressure level	70 dB(A)
Vibration	0,7 mm/s
Insulation resistance	200 MΩ
Bearing temperature	53,2 °C

## SPECIAL DESIGN


Efficiency in compliance with IEC 60034-30 Edition 1.0 - 2008, IE3  
Testing method IEC 60034-2-1 Edition 1.0 - 2007-09

## DIMENSIONS 3F3A-132SA-2B5



Frame size	Number of poles	D	E	F	G	M	N	R	S	T	AC	L
132SA	02	38	80	10	33	265	M12	230	4-14.5	4	275	470

FELSTROM

3F3A-132SA-2B5

