

3F3A-90SA-4B5

MECHANICAL DATA

Noise at 50Hz	66 dB(A)
Moment of inertia	0.00241 kgm ²
Bearing DE	6205ZZ
Bearing NDE	6203ZZ
Bearing lifetime	40000 h
Direction of rotation	bidirectional
Frame material	aluminum
Colour	RAL 7030
Cooling method	IC411
Ambient temperature	-20 / +40 °C
Altitude above sealevel	1000 m
Output	1.1kW
Speed	1420 rpm
Ins. Class	F
Efficiency	84,1% IE3
Voltage	400V
Connection	Y
F.L. Current	2.48A
Power factor	0,76
Duty	S1
Frequency	50 Hz
IP	55
Weight	16 kg

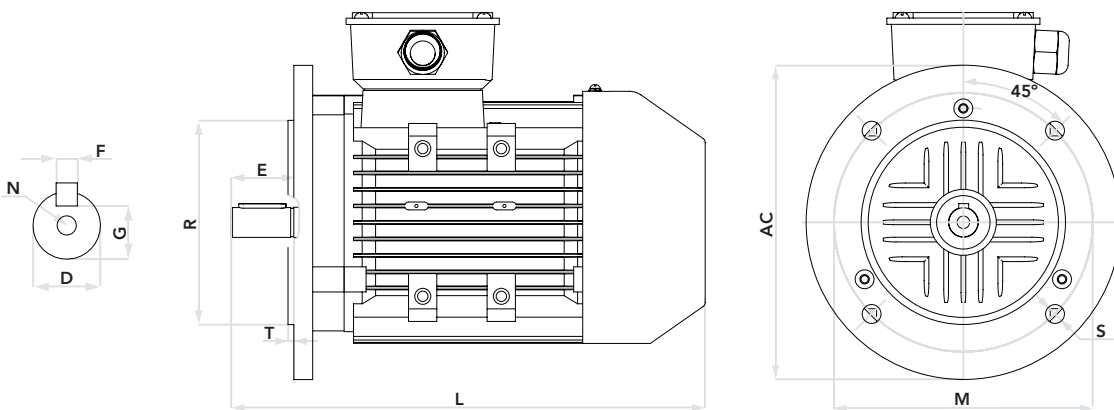
ELECTRICAL TEST DATA

Ambient temperature	24 °C
Resistance of winding	9,238 Ω
Three phase current unbalanced	2,41 %
No load amps	1,61 A
No load input	95,54 W
Core loss (Pfe)	37,78 W
Windage friction loss (Pfw)	12,75 W
Stator winding loss (Pcu1)	113,5 W
Rotor winding loss (Pcu2)	55,8 W
Stray load loss (Ps)	10,4 W
Locked rotor current	15,41 A
Locked rotor current / Full load current	6,42
Full load torque	7,4 Nm
Locked rotor input power at full load	8063,2 W
Locked rotor torque	21,73 Nm
Locked rotor torque / Full load torque	2,94
Full load input	1330,8 W
Full load current	2,535 A
Efficiency at 50% load	80,07 %
Efficiency at 75% load	83,15 %
Efficiency at 100% load	82,66 %
Power factor at full load	0,7576
Full load slip	4,721 %
Full load speed	1429 rpm
Stator winding temperature rise	38,55 K
Stator phase resistance at Ambient temperature of 95 °C	11,771 Ω
Sound pressure level	57,2 dB(A)
Vibration	0,8 mm/s
Insulation resistance	200 MΩ
Bearing temperature	43,8 °C

SPECIAL DESIGN

Efficiency in compliance with IEC 60034-30 Edition 1.0 - 2008, IE3
Testing method IEC 60034-2-1 Edition 1.0 - 2007-09

DIMENSIONS 3F3A-90SA-4B5



Frame size	Number of poles	D	E	F	G	M	N	R	S	T	AC	L
90SA	04	24	50	8	20	165	M8	130	4-12	3.5	195	350

FELSTROM

3F3A-90SA-4B5

