

3F3A-132SA-4B5

MECHANICAL DATA

| | |
|-------------------------|--------------------------|
| Noise at 50Hz | 71 dB(A) |
| Moment of inertia | 0.03835 kgm ² |
| Bearing DE | 6208ZZ |
| Bearing NDE | 6208ZZ |
| Bearing lifetime | 40000 h |
| Direction of rotation | bidirectional |
| Frame material | aluminum |
| Colour | RAL 7030 |
| Cooling method | IC411 |
| Ambient temperature | -20 / +40 °C |
| Altitude above sealevel | 1000 m |
| Output | 5.5kW |
| Speed | 1445 rpm |
| Ins. Class | F |
| Efficiency | 89,6% IE3 |
| Voltage | 400V |
| Connection | D |
| F.L. Current | 10.7A |
| Power factor | 0,83 |
| Duty | S1 |
| Frequency | 50 Hz |
| IP | 55 |
| Weight | 60 kg |

ELECTRICAL TEST DATA

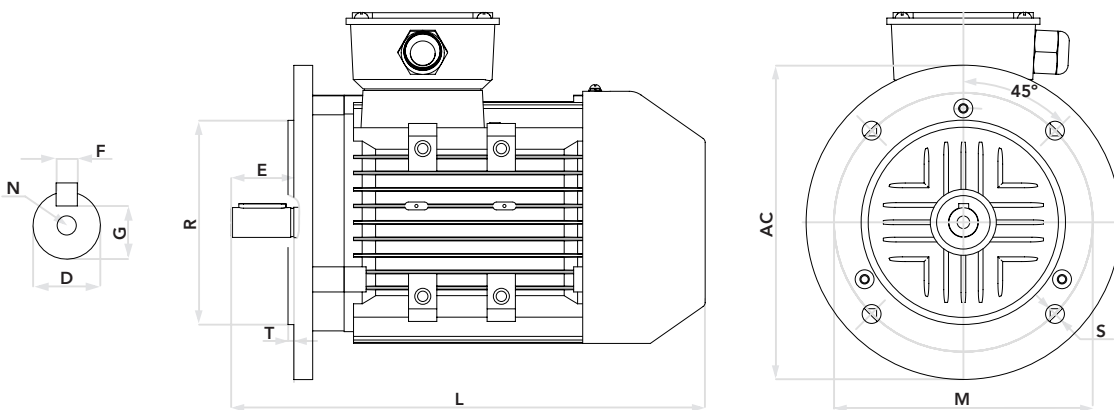
| | |
|---|-----------|
| Ambient temperature | 23 °C |
| Resistance of winding | 1,109 Ω |
| Three phase current unbalanced | 0,98 % |
| No load amps | 5,01 A |
| No load input | 462 W |
| Core loss (Pfe) | 114,5 W |
| Windage friction loss (Pfw) | 27,3 W |
| Stator winding loss (Pcu1) | 231,5 W |
| Rotor winding loss (Pcu2) | 154,8 W |
| Stray load loss (Ps) | 102,7 W |
| Locked rotor current | 77,896 A |
| Locked rotor current / Full load current | 7,28 |
| Full load torque | 36,34 Nm |
| Locked rotor input power at full load | 28609,5 W |
| Locked rotor torque | 79,24 Nm |
| Locked rotor torque / Full load torque | 2,18 |
| Full load input | 6130,1 W |
| Full load current | 10,43 A |
| Efficiency at 50% load | 89,75 % |
| Efficiency at 75% load | 90,25 % |
| Efficiency at 100% load | 89,72 % |
| Power factor at full load | 0,8484 |
| Full load slip | 3,013 % |
| Full load speed | 1454,805 |
| Stator winding temperature rise | 57,25 K |
| Stator phase resistance at Ambient temperature of 95 °C | 2,128 Ω |
| Sound pressure level | 69 dB(A) |
| Vibration | 0,6 mm/s |
| Insulation resistance | 200 MΩ |
| Bearing temperature | 57,25 °C |

SPECIAL DESIGN

| |
|--|
| |
| |
| |
| |

Efficiency in compliance with IEC 60034-30 Edition 1.0 - 2008, IE3
Testing method IEC 60034-2-1 Edition 1.0 - 2007-09

DIMENSIONS 3F3A-132SA-4B5



| Frame size | Number of poles | D | E | F | G | M | N | R | S | T | AC | L |
|------------|-----------------|----|----|----|----|-----|-----|-----|--------|---|-----|-----|
| 132SA | 04 | 38 | 80 | 10 | 33 | 265 | M12 | 230 | 4-14.5 | 4 | 275 | 470 |

FELSTROM

3F3A-132SA-4B5

