

3F3A-90SA-2B5

MECHANICAL DATA

Noise at 50Hz	78 dB(A)
Moment of inertia	0.00187 kgm ²
Bearing DE	6205ZZ
Bearing NDE	6205ZZ
Bearing lifetime	40000 h
Direction of rotation	bidirectional
Frame material	aluminum
Colour	RAL 7030
Cooling method	IC411
Ambient temperature	-20 / +40 °C
Altitude above sealevel	1000 m
Output	1.5kW
Speed	2885 rpm
Ins. Class	F
Efficiency	84,2% IE3
Voltage	400V
Connection	Y
F.L. Current	3.06A
Power factor	0,84
Duty	S1
Frequency	50 Hz
IP	55
Weight	16 kg

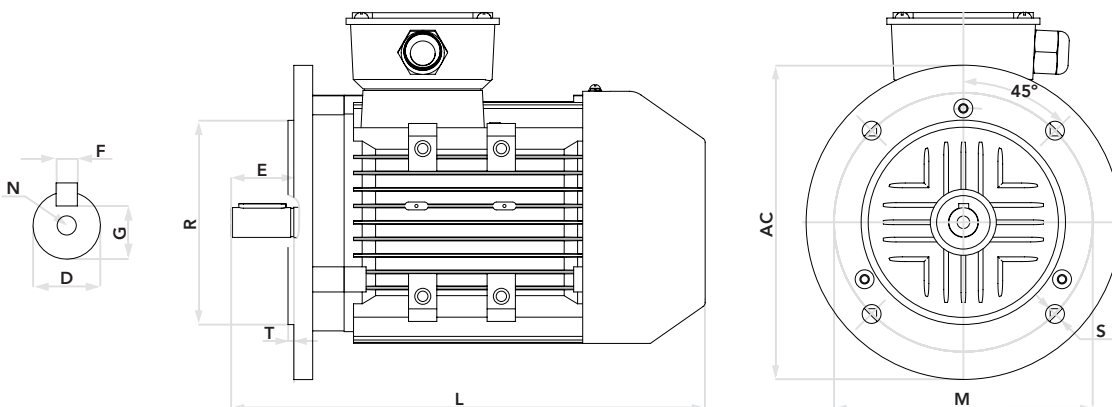
ELECTRICAL TEST DATA

Ambient temperature	27 °C
Resistance of winding	6,103 Ω
Three phase current unbalanced	0,78 %
No load amps	1,55 A
No load input	124,91 W
Core loss (Pfe)	46,23 W
Windage friction loss (Pfw)	55,23 W
Stator winding loss (Pcu1)	110,5 W
Rotor winding loss (Pcu2)	50,26 W
Stray load loss (Ps)	27,79 W
Locked rotor current	26,81 A
Locked rotor current / Full load current	8,76
Full load torque	5 Nm
Locked rotor input power at full load	13079,1 W
Locked rotor torque	15,77 Nm
Locked rotor torque / Full load torque	3,15
Full load input	1790 W
Full load current	3,096 A
Efficiency at 50% load	81 %
Efficiency at 75% load	84,06 %
Efficiency at 100% load	83,79 %
Power factor at full load	0,8347
Full load slip	3,077 %
Full load speed	2907 rpm
Stator winding temperature rise	46,7 K
Stator phase resistance at Ambient temperature of 95 °C	7,687 Ω
Sound pressure level	65 dB(A)
Vibration	1,1 mm/s
Insulation resistance	200 MΩ
Bearing temperature	57,4 °C

SPECIAL DESIGN

Efficiency in compliance with IEC 60034-30 Edition 1.0 - 2008, IE3
Testing method IEC 60034-2-1 Edition 1.0 - 2007-09

DIMENSIONS 3F3A-90SA-2B5



Frame size	Number of poles	D	E	F	G	M	N	R	S	T	AC	L
90SA	02	24	50	8	20	165	M8	130	4-12	3.5	195	350

FELSTROM

3F3A-90SA-2B5

